

Reach truck 1.6 ton

BT reflex

O-series

RRE160R



TOYOTA

MATERIAL HANDLING

stronger together

Reach truck

Truck specifications						RRE160R
Identification	1.1	Manufacturer				BT
	1.2	Model				RRE160R
	1.3	Drive				Electric
	1.4	Operator type				Seated
	1.5	Load capacity/rated load	Q	kg		1600
	1.6	Load centre	c	mm		600
	1.8	Load distance, centre of support arm wheel to face of forks	x	mm		406
	1.9	Wheelbase	y	mm		1421
	Weight	2.1	Service weight including battery		kg	
2.3		Axle load, mast retracted without load, drive/support arm wheel		kg		2282/1409
2.4		Axle load, mast extended with load, drive/support arm wheel		kg		776/4514
2.5		Axle load, mast retracted with load, drive/support arm wheel		kg		2051/3239
Wheels	3.1	Drive/support arm wheel				Super-elastic
	3.2	Wheel size, front				180/60-10
	3.3	Wheel size, rear				180/60-10
	3.5	Wheels, number front/rear (x=driven wheels)				1x/2
	3.7	Track width, rear	b_{11}	mm		1256
Dimensions	4.1	Tilt of fork, forward/backward	α/β	deg		4°/-2°*
	4.2	Height, mast lowered	h_1	mm		2804*
	4.3	Free lift	h_2	mm		1691*
	4.4	Lift	h_3	mm		6260*
		Lift height	h_{23}	mm		6300*
	4.5	Height, mast extended	h_4	mm		6940*
	4.7	Height of overhead guard (cab)	h_6	mm		2330
	4.8	Seat height	h_7	mm		1265
	4.10	Height of support arms	h_8	mm		478
	4.15	Height of lowered forks	h_{13}	mm		40
	4.19	Overall length	l_1	mm		2446
	4.20	Length to face of forks	l_2	mm		1331
	4.21	Overall width	b_1	mm		1414
	4.22	Fork dimensions	s/e/l	mm		40/100/1150
	4.23	Fork carriage ISO 2328, class/type A, B				II B
	4.25	Width over forks	b_5	mm		250 - 738
	4.26	Distance between support arms	b_4	mm		900
	4.28	Reach distance	l_4	mm		614
	4.31	Ground clearance, with load, below mast	m_1	mm		136
	4.32	Ground clearance, centre of wheelbase	m_2	mm		145
4.33	Aisle width for pallets 1000 x 1200 crossways	A_{st}	mm		2781	
4.34	Aisle width for pallets 800 x 1200 lengthways	A_{st}	mm		2826	
4.35	Turning radius	W_a	mm		1683	
4.37	Length across support arms	l_7	mm		1933	
Performance data	5.1	Travel speed, with/without load		km/h		10,0/11,0
	5.2	Lift speed, with/without load		m/s		0,35/0,70
	5.3	Lowering speed, with/without load		m/s		0,55/0,55
	5.4	Reach speed, with/without load		m/s		0,25/0,25
	5.8	Max. gradeability, with/without load ¹⁾		%		9,0/13,5
	5.10	Service brake				Electric
Electric motor	6.1	Drive motor rating S2 60 min		kW		7,5
	6.2	Lift motor rating S3 15%		kW		15
	6.4	Battery voltage, nominal capacity K_5		V/Ah		48/620
	6.5	Battery weight		kg		875
	6.6	Energy consumption acc to VDI cycle ²⁾		kWh/h		
	Other	8.1	Type of drive control			
8.4		Sound level at the driver's ear according to EN 12 053		dB(A)		

1) Measured according to company standard

2) Contact your supplier for information

* Other alternatives are available

All data are based on table configuration. Other configurations may give other values.

Truck performance and dimensions are nominal and subject to tolerances.

BT products and specifications are subject to change without notice.

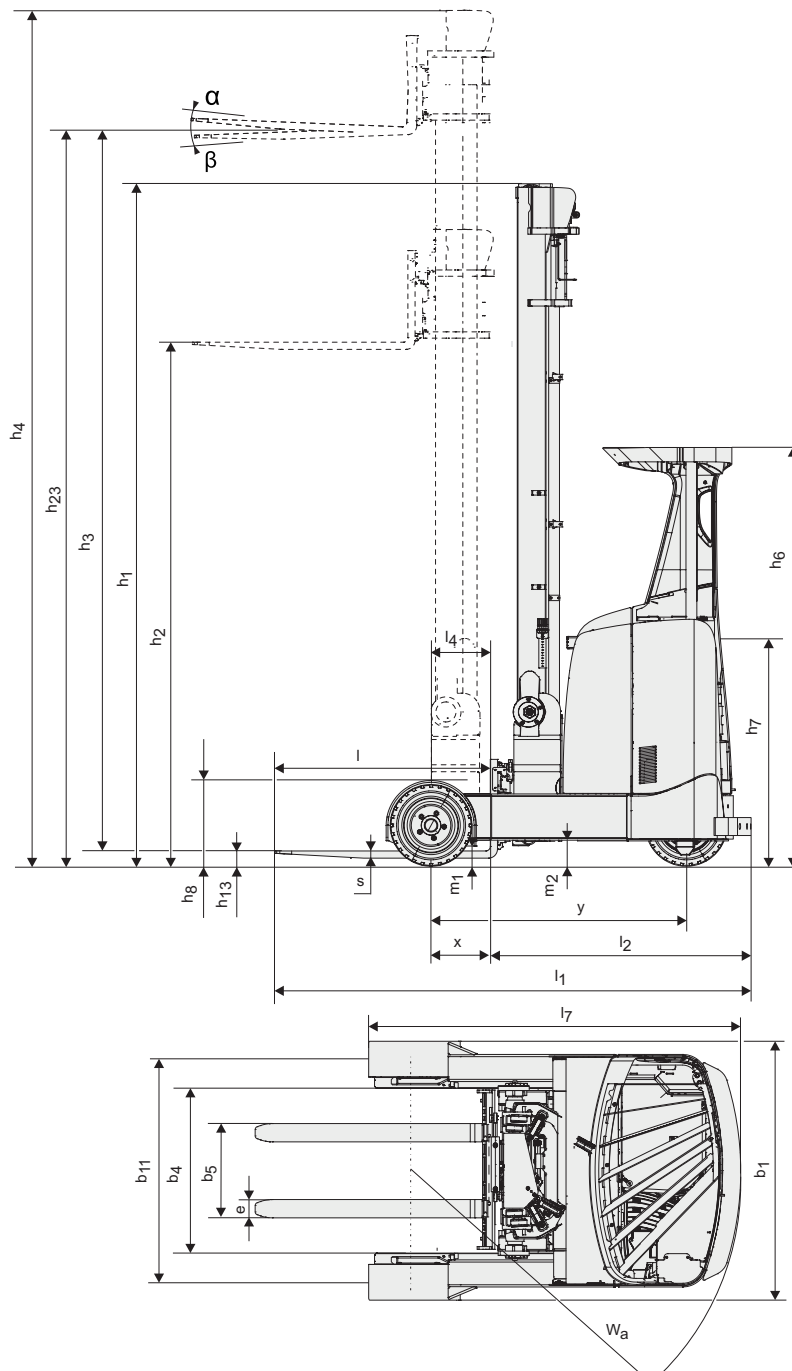
Battery compartment

BT reflex

Dimensions				RRE160R	
Reflex		Depth of battery		mm	347
	6.4	Battery voltage, nominal capacity K_5		V/Ah	48/620
	6.5	Battery weight, min.—max.		kg	875-1030
	1.8	Load distance, centre of support arm wheel to face of forks	x	mm	406

Mast dimensions, mm

Mast			Triplex Hi-Lo									
	Lift height	h_{23}	mm	4600	4800	5400	5700	6300	6750	7000	7150	7500
	Lift	h_3	mm	4560	4760	5360	5660	6260	6710	6960	7110	7460
RRE160R	Height, mast lowered	h_1	mm	2247	2314	2514	2614	2814	3063	3146	3063	3313
	Free lift	h_2	mm	1124	1191	1391	1491	1691	1940	2023	1940	2190
	Height, mast extended	h_4	mm	5322	5522	6122	6422	7022	7472	7722	7522	8212



Truck features:

- Super-elastic tyres
- High ground clearance
- AC technology
- Total view concept
- Car pedal layout
- Automatic parking brake
- Support arm brakes standard equipment
- TLC, Transitional Lift Control
- 360° steering
- Simultaneous hydraulic control
- Single function levers
- Heavy duty drive unit and gear box
- Weather protection (option)



Beersebaan71-2310 Rijkevorsel

Tel.: 03/340.04.90

Fax: 03/340.04.91

www.hermans-heftrucks.be

info@hermans-heftrucks.be

TOYOTA

MATERIAL HANDLING

stronger together